

ACTIVE COLUMN ARRAY

TENSOR

PORTABLE SOUND

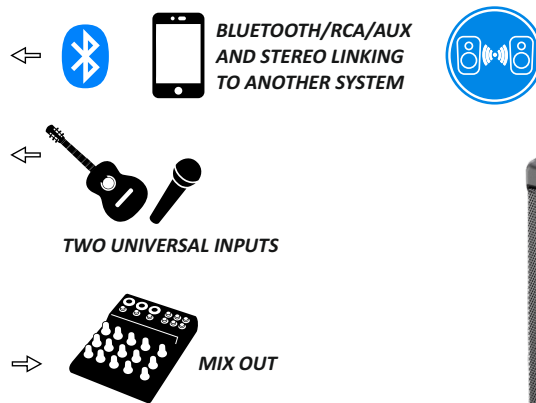
TENSOR-SOLO

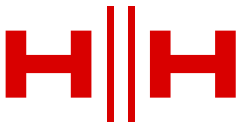
- Ultra-lightweight 4-piece design, weighing only 13kg
- Impressive audio performance - perfect for 100+ people
- High power ensuring impressive coverage without compression
- 4-channel Mic/Line mixer with Reverb
- Bluetooth connectivity, including True Wireless Stereo linking of systems
- 4 x DSP presets for swift and effortless setup
- Carry Bag and slip cover included

- Applications
- Bars And Clubs
 - Live Sound Reinforcement
 - Conference / Speech
 - Worship
 - Education
 - Home / Party

The Tensor-SOLO all-in-one column PA delivers a superior audio experience from an ultra portable system. The 8" subwoofer and six 2.75" drivers allow for crystal clear audio coverage for 100+ people. With its simple 4-piece 'slot together' design, the Tensor-SOLO can be set up swiftly and effortlessly. Microphones or line level devices such as keyboards can connect to the Tensor-SOLO simultaneously via the 4-channel mixer. Bluetooth enabled devices can also connect for wireless audio streaming and with integrated True Wireless Stereo technology (TWS), two Tensor-SOLO systems can be linked for stereo audio transmission wirelessly. The on-board DSP provides 4 EQ presets for different voicings as well as comprehensive audio protection to prevent the system being overloaded and damaged. Super-lightweight - weighing just 13kg, 29 lbs the Tensor-SOLO is the ultimate wireless audio solution.

Specifications	
Model	Tensor-SOLO:BK
Colour	Black
System Type	Ultra Portable Column PA System
Frequency response	50-20kHz
Max SPL (1M) (Peak)	123 dB SPL
Power Rating	300W RMS, 1200W Peak
Amplifier Type	Class D
Power Supply	User Switchable SMPS 100-120 or 220-240V~ 50/60HZ
Protection	Short circuit, Thermal overload, multi band limiter
Inputs	2x Combo (XLR/Jack) balanced/unbalanced input with Mic/Line preset switch. 3.5mm Stereo Aux in, 2x RCA, Bluetooth V5.0 Audio Receiver
Outputs	Balanced XLR mix out.
Controls	CH1-3 Level, CH1-2 Reverb on/off switch, Master Volume, Bluetooth Pairing, EQ preset
LF Driver	8" HH Long Throw Woofer
Hi/Mid Drivers	6x 2.75"
Cabinet	Robust Polypropylene Enclosure (Sub), ABS (Sat)
Accessories	1x Padded Subwoofer Slip Cover, 1x Padded 3 Piece Column Carry Bag included
Other	Illuminating HH Logo
Dimensions	
Overall Height (assembled)	1975mm, (77.8")
Overall Weight (assembled)	14.1Kg, 31.1 lbs
Top Unit dimensions (HWD)	560 x 105 x 105mm, 22" x 4.1" x 4.1" (560 x 105 x 105mm, 22" x 4.1" x 4.1" Spacers)
Top Unit Weight	1.7Kg, 3.7 lbs (1.1Kg, 2.4 lbs Spacers)
Sub Unit dimensions (HWD)	403 x 320 x 300mm, 15.9" x 12.6" x 11.8"
Sub Unit Weight	9Kg, 19.8 lbs
Carton dimensions (HWD)	660 x 510 x 420mm, 26" x 20.1" x 16.5" (0.142 M3)
Packed Weight (Inc Accessories)	17.1Kg, 37.7 lbs
EAN13	5060109458626





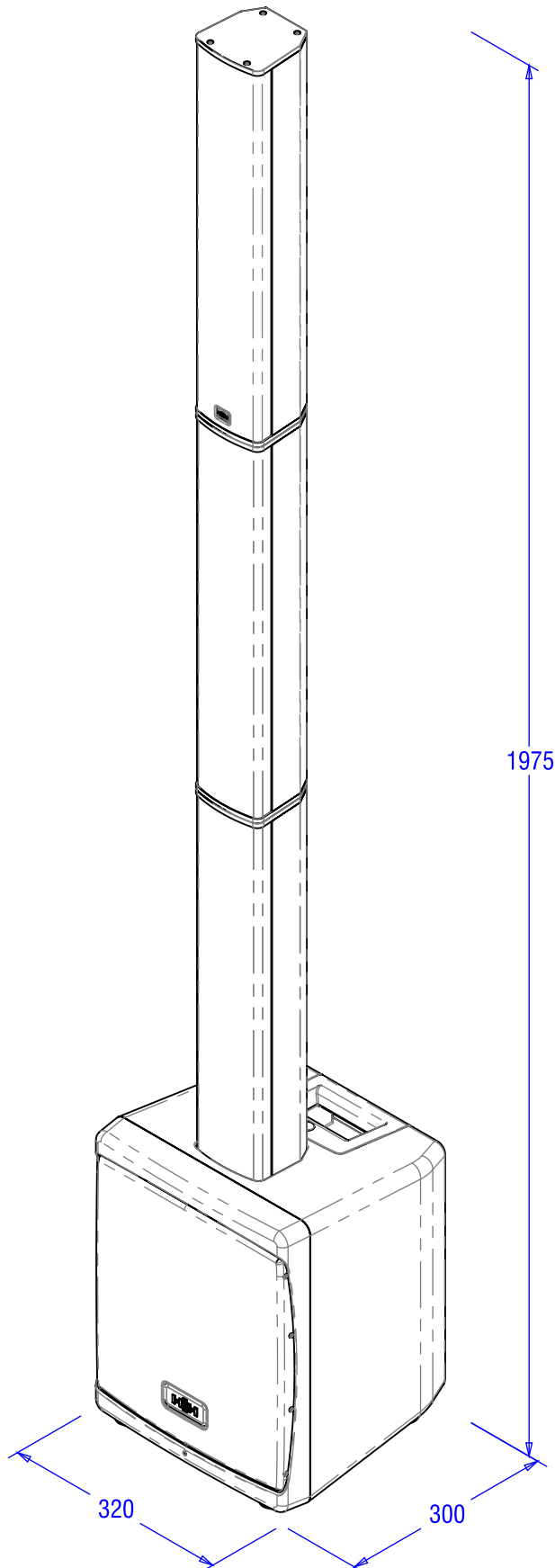
TENSOR

BATTERY POWERED COLUMN ARRAY

PORTABLE SOUND

DIMENSIONS (in mm)

ACCESSORIES



CARRY BAG AND SLIP COVER INCLUDED



DESIGNED AND ENGINEERED IN THE UK BY HH ELECTRONICS LTD.

© 2023 HH ELECTRONICS LTD